

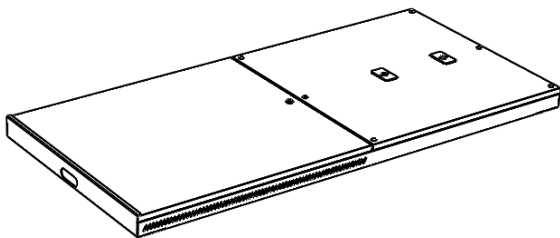
## TP200-WM stand

Thank you for purchasing AVFI's TP200-WM Stand.  
 This product is designed for stud or masonry mounting to a wall.  
 Confirm all hardware is included before you begin assembly.  
 Read these instructions start to finish before beginning installation.

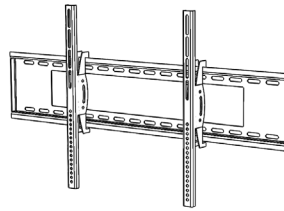
**Note:** If you cannot understand these instructions or are concerned about safety of the installation contact a qualified contractor or contact AVFI at 1-877-834-3876.



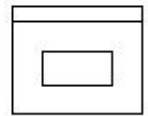
### Supplied Parts



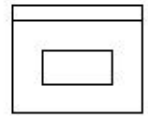
Tower



TV Bracket  
(inside tower unit)



TV Bracket bag



LFT-WM hardware bag

Not all hardware supplied will be used.

### Supplied Hardware (additional to hardware bags)



M8 X 40  
(4)



M8 Nut  
(4)



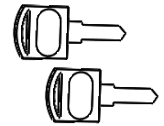
Fender Washer  
(4)



5/8" Screw  
(3)



Allen Key for Panel bolts  
(1)



Keys  
(2)

### Tools required



Socket set



Pencil



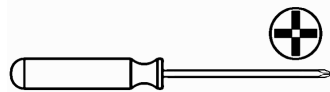
Drill bit set



Drill



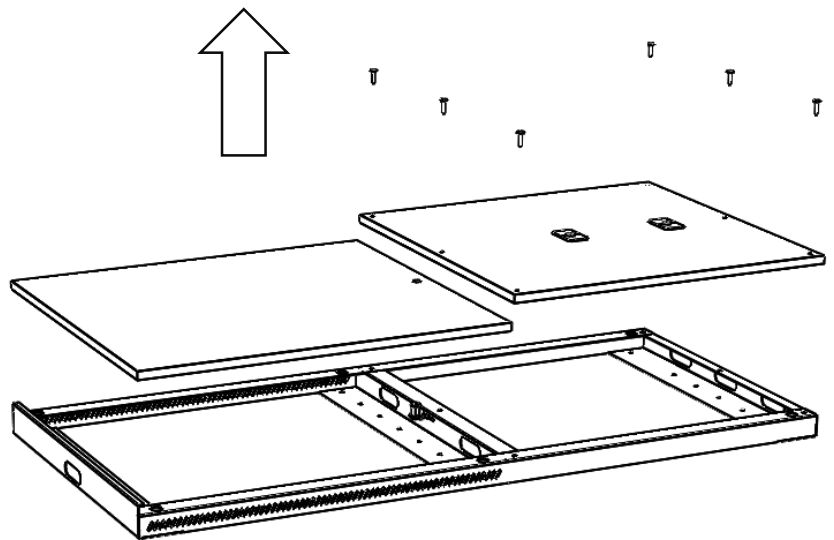
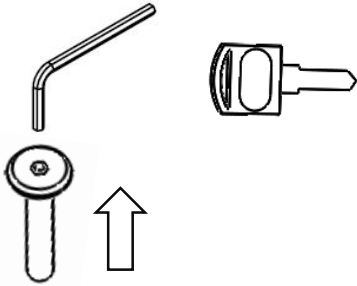
Stud Finder



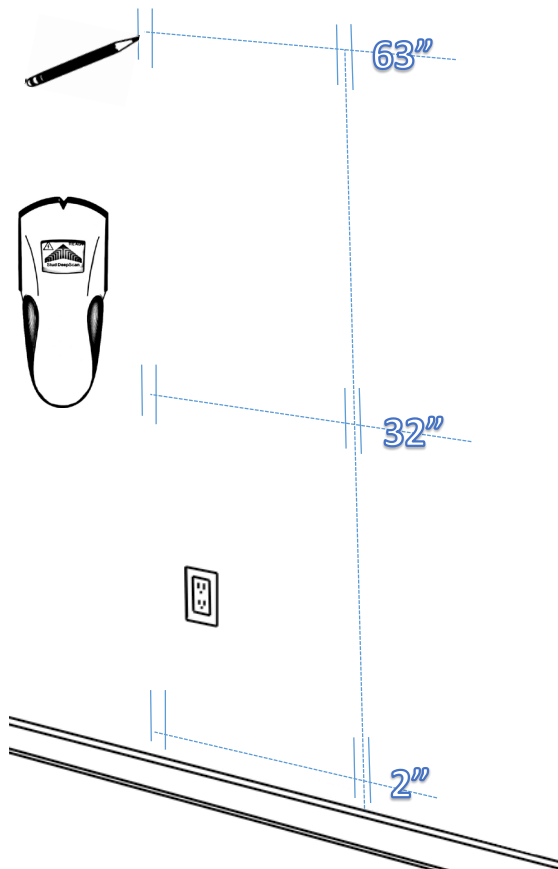
Phillips Screwdriver +

## TP200-WM Stand

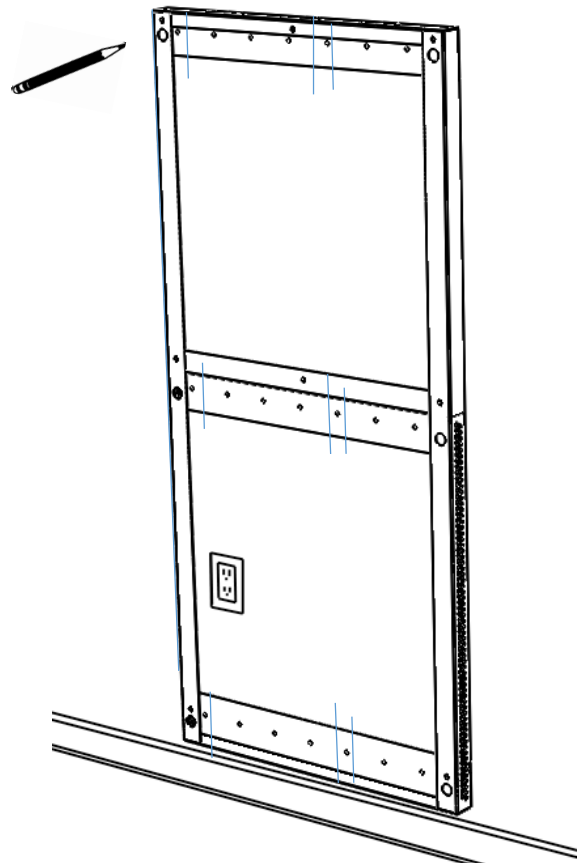
- 1** Remove panel bolts and lift off front panels.  
Remove TV mount found inside.



- 2** Locate/mark studs using stud finder  
If masonry, skip to next step.



- 3** Locate unit over marks and mark  
Hole drilling locations

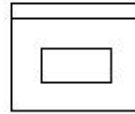


Unit can be on floor or above baseboard (shown)  
Baseboard may require cut to accommodate.

# TP200-WM Stand



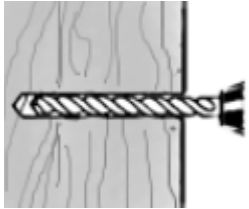
Drill bit set



LFT-WM hardware bag

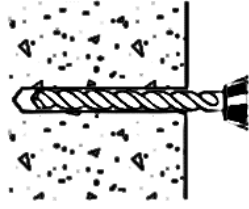
## 4 Drill wall and prepare for Bolts.

### Wood

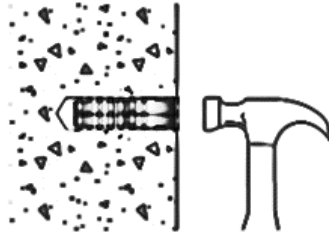


1 / 4" Drill

### Masonry

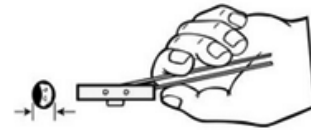


1 / 2" Drill

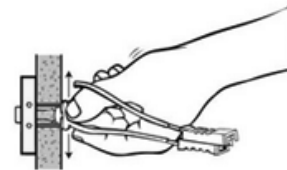
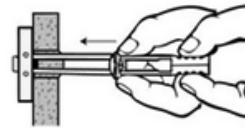


Lag Shield

### Drywall



1 / 2" Drill



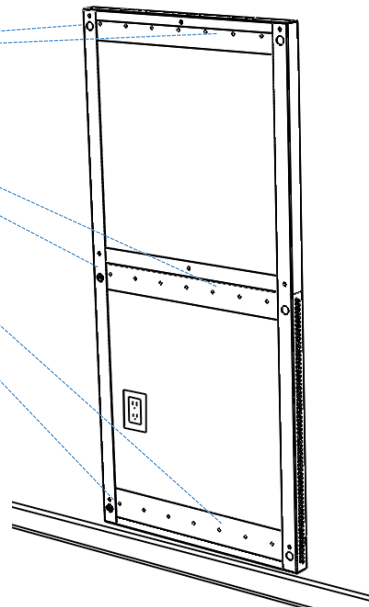
Toggle bolts



## 5 Install bolts using socket set.

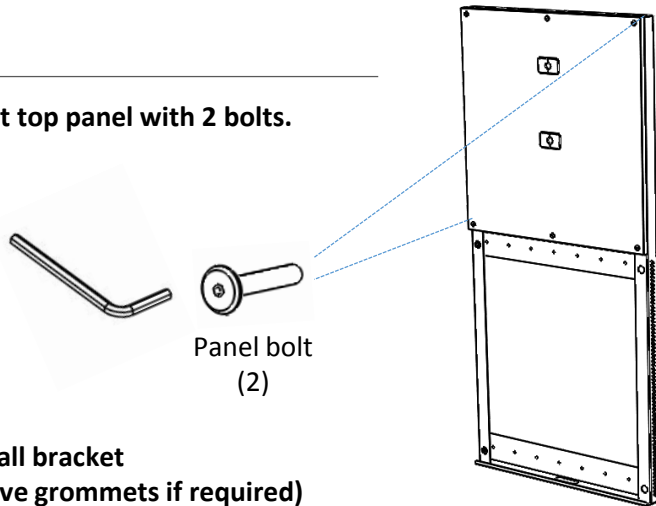


Bolts (6)



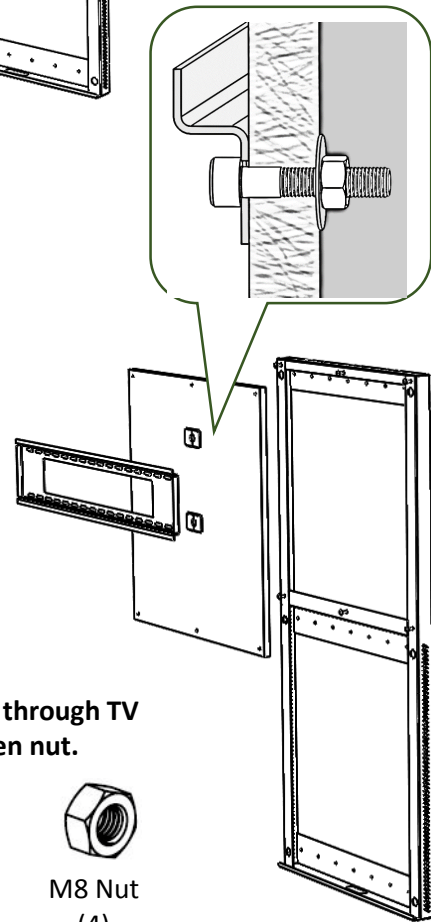
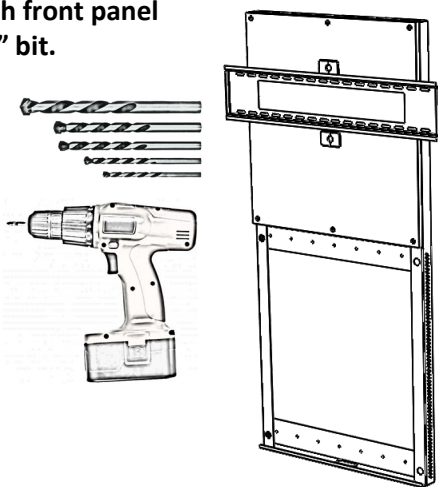
**TP200-WM Stand**

**6** Temporarily Install front top panel with 2 bolts.

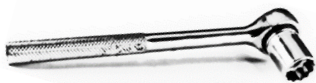


Panel bolt  
(2)

**7** Position and level TV Wall bracket  
At desired height.(remove grommets if required)  
Drill through front panel  
with 11/32" bit.



**8** Unbolt Panel from wall.  
Attach TV Wall bracket Using M8x40 through TV  
bracket and Panel, fender washer then nut.



M8 X 40  
(4)

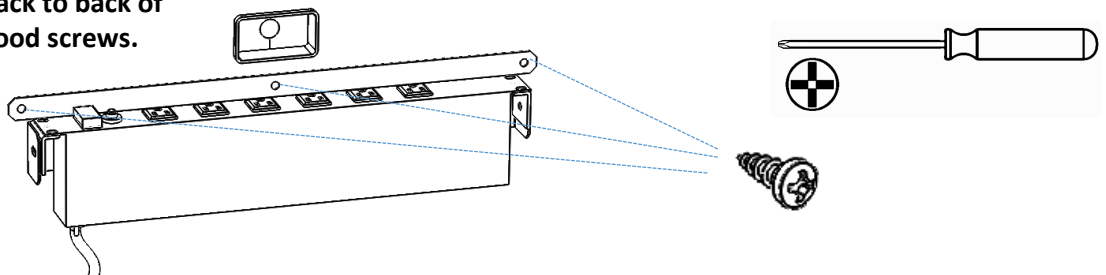


Fender Washer  
(4)



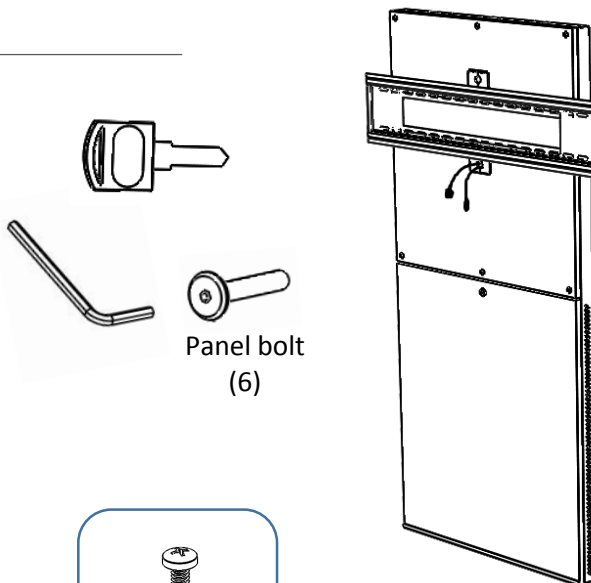
M8 Nut  
(4)

**9** Install 1U Rack equipment  
(example power strip shown)  
Then attach vertical rack to back of  
panel or wall using wood screws.

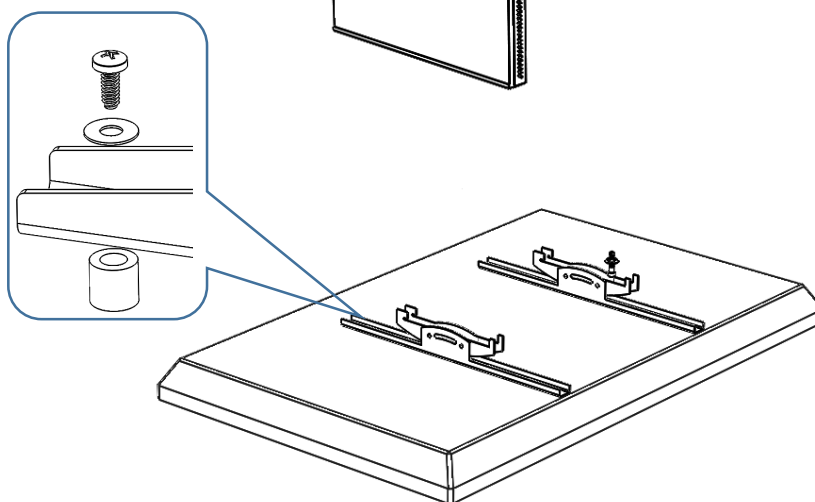
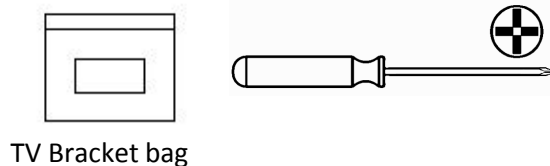


## TP200-WM Stand

- 10** Run all cables/wiring to wall and through panel to TV.  
Reinstall panels using panel bolts.



- 11** Mount Brackets to TV using Bracket bag kit.  
Use spacers only if required. (TV rear not flat)



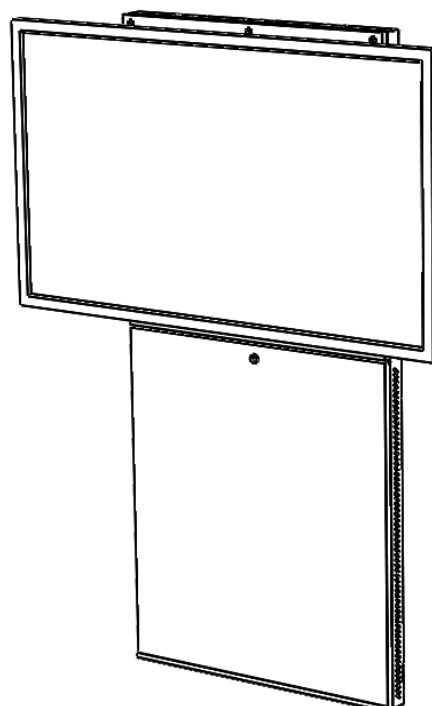
- 12** Hang TV (2 People recommended)  
Connect Cables and test.

**Available Options:**

**TVCB-** Camera Shelf for Above TV.

**TVCB-XL-** Large Camera Shelf for Above TV 70"+

**PB-** 6 outlet power bar.



**Finished.**